



Original Instruction Manual for PU/PI Differential Pressure Transmitters



halstrup-walcher GmbH

Stegener Straße 10
D-79199 Kirchzarten
Germany

Phone: +49 (0) 76 61/39 63-0
Fax: +49 (0) 76 61/39 63-99

E-Mail: info@halstrup-walcher.com
Internet: www.halstrup-walcher.com

Revision Overview

| Version: | Date: | Author: | Amendments: |
|----------|---------|---------|---|
| A | 2005 | Ka | Initial Revision |
| B | 11/2020 | Me | Technical data; cable ties; fuse; technical drawing |
| C | 12/2022 | Me | Revision overview; Update technical data, QR-Code |
| D | 12/2022 | Me | EOL of variant PS10 |

© 2022

The manufacturer owns the copyright to this instruction manual. It contains technical data, instructions and drawings detailing the device's features and how to use them. It must not be copied either wholly or in part or made available to third parties.

The instruction manual is part of the product. Please read this manual carefully, follow our instructions, and pay special attention to the safety information provided. This instruction manual should be available at all times. Please contact the manufacturer if you do not understand any part of the instructions.

The manufacturer reserves the right to continue developing this device model without documenting such development in each individual case. The manufacturer will be happy to determine whether this manual is up-to-date.

Purpose of instruction manual

This instruction manual describes the features of the PU/PI differential pressure transmitter and provides guidelines for their use.

Improper use of this instrument or failure to follow these instructions may cause injury or equipment damage. Every person who uses the device must therefore read the manual and understand the possible risks. The instruction manual, and in particular the safety precautions contained therein, must be followed carefully. **Contact the manufacturer if you do not understand any part of this instruction manual.**

Handle this manual with care:

- It must be readily available throughout the lifecycle of the instrument.
- It must be provided to any individuals who assume responsibility for operating the instrument at a later date.
- It must include any supplementary materials provided by the manufacturer.

Conformity

This pressure transmitter conforms with the present stage reached in technical engineering.

It complies with the statutory requirements of the EC and UK-directives.

This is documented by the CE and the UKCA mark being affixed



Table of Contents

| | | |
|-----|--|----|
| 1 | Safety precautions..... | 5 |
| 1.1 | Appropriate use..... | 5 |
| 1.2 | Shipping, assembly, electrical connections and start-up..... | 5 |
| 1.3 | Troubleshooting, maintenance, repairs, disposal..... | 5 |
| 1.4 | Symbols | 6 |
| 2 | Instrument description | 7 |
| 3 | Start-up | 7 |
| 3.1 | Features..... | 7 |
| 3.2 | Supply voltage connections in the instrument..... | 8 |
| 3.3 | Analog output connections in the instrument | 8 |
| 4 | Calibrating the zero point..... | 9 |
| 5 | Troubleshooting..... | 10 |
| 6 | Technical data | 11 |
| 7 | Dimension drawings | 13 |
| 8 | Certificate of conformity..... | 14 |

1 Safety precautions

1.1 Appropriate use

In addition to differential pressure data, the PU/PI differential pressure transmitters also record positive and negative overpressures.

Always observe the operating requirements—particularly the permissible supply voltage—indicated on the rating plate and in the "Technical data" section of this manual.

The instrument may only be handled as indicated in this manual. Modifications to the instrument are prohibited. The manufacturer is not liable for damages caused by improper use or failure to follow these instructions. Violations of this type render all warranty claims null and void.

1.2 Shipping, assembly, electrical connections and start-up

Do not close the pressure inputs when shipping, as changes in barometric pressure could damage instruments with low measuring ranges.

Only technical personnel who are appropriately trained and authorized by the operator of the facility may assemble the instrument and set up its electrical connections.

The instrument may only be operated by appropriately trained individuals who have been authorized by the operator of the facility.

Pressurized air or breath is not to be used for performance tests, as this could damage instruments with low measurement ranges.

Measurement errors may occur if the instrument is not kept protected from sunlight.

Specific safety precautions are given in individual sections of this manual.

1.3 Troubleshooting, maintenance, repairs, disposal

The individual responsible for the electrical connections must be notified immediately if the instrument is damaged or if errors occur that cannot be corrected as indicated in section 5.

This individual must take the instrument out of service until the error has been corrected and ensure that it cannot be used unintentionally.

Always unplug the supply voltage before opening the instrument!

This instrument requires no maintenance.

Only the manufacturer may perform repairs that require the housing to be opened.

The electronic components of the instrument contain materials that can be reused. For this reason the instrument must be recycled in accordance with the environmental guidelines of the jurisdiction in question once it has been taken permanently out of service.

1.4 Symbols

The symbols given below are used throughout this manual to indicate instances when improper operation could result in the following hazards:



WARNING!

This warns you of a potential hazard that could lead to bodily injury up to and including death if the corresponding instructions are not followed.



WARNING!

This warns you of a potential hazard that could lead to significant property damage if corresponding instructions are not followed.



INFORMATION!

This indicates that the corresponding information is important for operating the instrument properly.

2 Instrument description

The PU/PI pressure transmitters are pneumatic, electronic sensors for measuring overpressures, vacuum pressures and differential pressures. Typical applications include, for instance, pressure measurements in air-conditioning and ventilation ducts. At the heart of the transmitter is a pressure measurement capsule with a beryllium bronze membrane spring, which is displaced by the pressure difference between the two chambers of the measurement capsule. Inductive displacement transmitters measure membrane deflection without contacting the membrane. The instrument has no frictional parts or parts subject to mechanical wear.

3 Start-up

3.1 Features

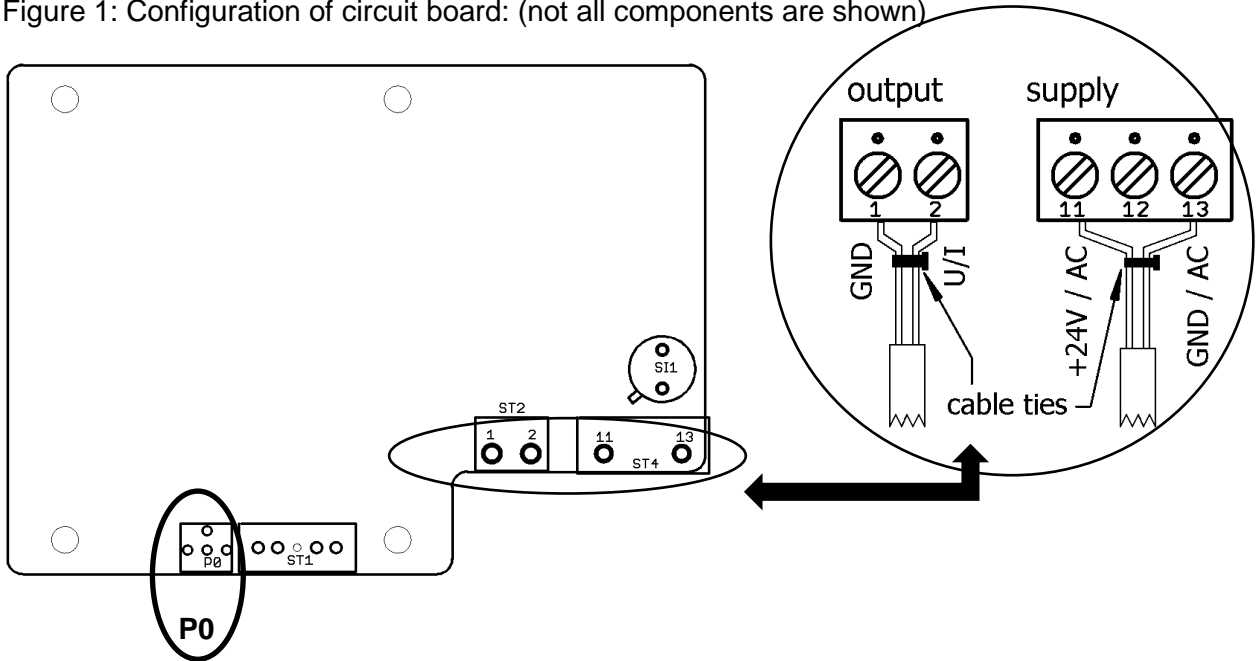
Although the PU/PI pressure transmitters are highly robust, they are nevertheless precision instruments and should be handled with care. Avoid mounting the instruments in the direct vicinity of any sources of radiation or heat, such as heaters, as this could result in measurement errors. Ideally, the instrument should be mounted vertically on a wall not subject to vibration. Pressure (+) and vacuum (-) ports should be pointing down in order to prevent any condensation from entering the measurement cell.

When connecting pressure to the transmitter, use the following table to ensure that the sign of the pressure (+ or -) is correct.

| Type of pressure | Connect pressure to | Example |
|------------------------------|--|---|
| overpressure | + input port | 0...1 kPa |
| vacuum | - input port | 0...- 500 Pa |
| differential pressure | higher pressure at + port lower pressure at - port | 0... 125 Pa, e.g. via a differential pressure transmitter (such as a measuring orifice) |
| symmetrical pressure ranges | + input port | \pm 200 Pa |
| asymmetrical pressure ranges | input port corresponding to the high end of the pressure range | -300 Pa...+ 1 kPa (pressure should be connected to the + input port) |

3.2 Supply voltage connections in the instrument

Figure 1: Configuration of circuit board: (not all components are shown)



| Terminal | Supply voltage |
|----------|------------------------|
| 11 | 24/115/230 V~ 50/60 Hz |
| 13 | 24/115/230 V~ 50/60 Hz |
| 11 | +20.5 V...28.5 VDC |
| 13 | ground (GND) |

The devices with DC voltage supply are protected against reverse polarity of the supply voltage.



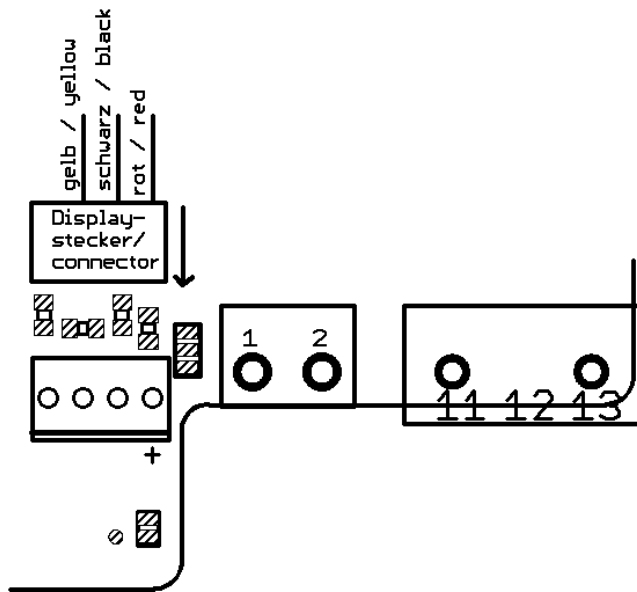
Observe the required supply voltage (see rating plate) as well as the connection diagram located on the housing cover / circuit board mount. Secure the connecting cables as shown in the picture with the cable ties provided.

3.3 Analog output connections in the instrument

| Terminal | Output signal |
|----------|--|
| 1 | ground (GND) |
| 2 | 0...10 V / 0/4...20 mA ± 5 V / ± 10 V |

The transmitter outputs are protected from short circuits. The output signal can (with correspondingly applied pressure) exceed or fall below the specified limits (except 0 mA).

Display-connector



4 Calibrating the zero point



Please remember that it takes roughly 30 to 60 minutes for the pressure transmitter to warm up after it is switched on. The output signal may not remain stable during this period.

It is recommended that the zero point after a long operating time (approximately 6 months) is checked and if necessary calibrate it again.

The wiring of the current output makes it impossible to enter a negative current. As a result, operators cannot turn the zero-point potentiometer beyond the 0.0 mA mark when calibrating the zero point. Were this not the case, the negative component, which cannot be displayed, would interfere with the output signal.

After the pressure transmitter has warmed up, the operator may calibrate the zero point using the P0 trimmer (see figure 1). The following table may be used to look up the value to which the analog output must be set when the ports are open; this value is dependent upon both the measurement range and the output signal.

| Output signal / Measurement range | 0...10 V | 0...20 mA | 4...20 mA | ± 5 V | ± 10 V |
|-----------------------------------|--|-----------|-----------|----------|-----------|
| 0...nominal pressure | 0.00 V | 0.00 mA | 4.00 mA | - 5.00 V | - 10.00 V |
| ± nominal pressure | 5.00 V | 10.00 mA | 12.00 mA | 0.00 V | 0.00 V |
| asymmetrical measurement range | the output signal corresponding to the average of both measurement range limiting values | | | | |

5 Troubleshooting

| Error Description | Potential Cause | Corrective Action |
|---|---|---|
| no output signal | <ul style="list-style-type: none"> • supply voltage is not connected • incorrect supply voltage • defective fuse • defective input protection diode <p>only for DC power:</p> <ul style="list-style-type: none"> • defective reverse polarity protection diode | <ul style="list-style-type: none"> • connect correct supply voltage • connect the correct supply voltage (see rating plate). • replace the SI1 fuse (see technical data) • Send the instrument to the manufacturer for repair • Send the instrument to the manufacturer for repair |
| output signal is constant, despite change in pressure | <ul style="list-style-type: none"> • defective output protection diode • pressure ports reversed | <p>Send the instrument to the manufacturer for repair</p> <ul style="list-style-type: none"> • connect pressure as outlined in section 3. "Start-up" |
| output signal incorrect (only for 0...20 mA) | <ul style="list-style-type: none"> • defective output protection diode • defective pressure measurement cell <p>for current output:</p> <ul style="list-style-type: none"> • output load too high <p>for voltage output:</p> <ul style="list-style-type: none"> • load resistance too low <ul style="list-style-type: none"> • current output calibrated incorrectly | <p>Send the instrument to the manufacturer for repair</p> <ul style="list-style-type: none"> • Send the instrument to the manufacturer for repair • observe maximum output load of 500Ω • observe minimum load resistance (either 2 kΩ, 5 kΩ or 10 kΩ, depending on output; see section 6 "Technical data") • follow instructions on calibrating the zero point at a current output of 0...20mA |
| zero point cannot be adjusted using P0 | defective pressure measurement cell | Send the instrument to the manufacturer for repair |

6 Technical data

| | |
|--|---|
| Measurement data | |
| measurement ranges (also \pm measurement ranges) | 50 / 100 / 250 / 500 Pa 1 / 2,5 / 5 / 10 / 20 / 50 / 100 kPa (others available upon request) |
| overload capacity | 10 x for measurement ranges \leq 20 kPa 2 x for measurement ranges $>$ 20 kPa |
| hysteresis | 0.1 % |
| warm-up period | approx. 30 min. |
| step response time (T63) (time constant) | approx. 20 ms (up to 5 s available upon request) |
| measurement accuracy (measurement accuracy of the reference 0.3Pa) | 1 % FS 0.5 % FS only for meas. ranges \geq 250 Pa (optional) 0.2 % FS only for meas. ranges \geq 250 Pa (optional) |
| temperature coefficient span | 0.04%/ K (10°C...+60 °C) |
| temperature coefficient zero point | 0.04%/ K (10°C...+60 °C) |
| dead volume | approx. 2000 mm ³ (for measurement ranges \geq 250 Pa) approx. 9000 mm ³ (for measurement ranges $<$ 250 Pa) |
| control volume | max. 200mm ³ |
| max. system pressure | 100 kPa |
| Ambient conditions | |
| medium | air, all non-aggressive gases |
| rated temperature range | +10° C to +60° C |
| storage temperature | -10° C to +70° C |
| relative humidity | 0...80 % |
| conformity | CE / UKCA (upon request) |

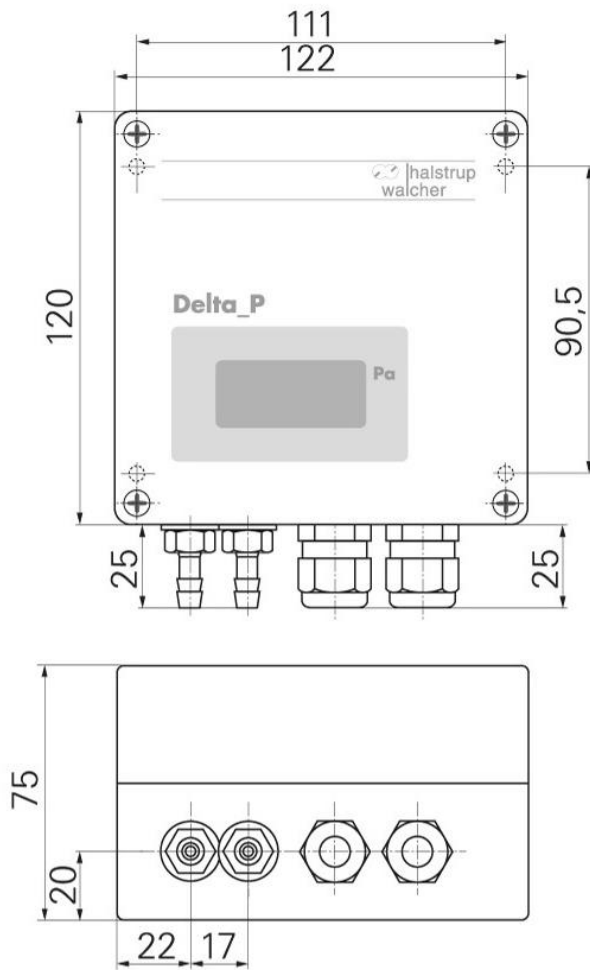
| Electrical data | |
|-------------------------------|--|
| power consumption | max. 1.2 W |
| supply voltage | 24 VDC +20% / -15% (filtered, permissible peak-to-valley ratio = 1000 mV) 230VAC ± 10 %, 50/60 Hz 115VAC ± 10 %, 50/60 Hz 24VAC ± 10 %, 50/60 Hz |
| fuse | 200 mA (for ex. Wickmann Typ TR5) |
| minimum load resistance R_L | $R_L \geq 2 \text{ k}\Omega$ for an output voltage of 0...10 V $R_L \geq 5 \text{ k}\Omega$ for an output voltage of $\pm 5 \text{ V}$ $R_L \geq 10 \text{ k}\Omega$ for an output voltage of $\pm 10 \text{ V}$ for models PU with output voltage maximum effect of load resistance = 0.3% |
| maximum output load R_B | $R_B = 500 \Omega$ for models PI with current output output load dependence: < 0.3 % |
| display | 3½ or 4½-place LCD, character height = 13 mm (optional) |
| output signal | 0 to 10 V, 0 to 20 mA or 4 to 20 mA; $\pm 5 \text{ V}$ and $\pm 10 \text{ V}$ are also possible |
| | |
| Physical data | |
| pressure port | Ø 6.5 mm for NW6 tubing (interior tubing diameter = 5 mm) |
| electrical connections | screw terminals for cables up to 2.5 mm ² |
| mounting orientation | vertical (when placing your order, please indicate if a horizontal orientation is required) |
| dimensions (w x h x d) | 80 x 120 x 73 mm 120 x 122 x 75 mm (for LCD option) |
| protection class | IP65 |
| weight | between 300 g and 700 g, depending on design |
| options | <ul style="list-style-type: none"> • 3½-place LCD • 4½-place LCD • factory calibration • Calibration according to DKD-R 6-1 • cable gland: PG9 or PG11 threaded connections • output signal attenuation up to 5 s • silicon-free materials for parts in contact with medium |

Appendix A: Parts in contact with measurement medium

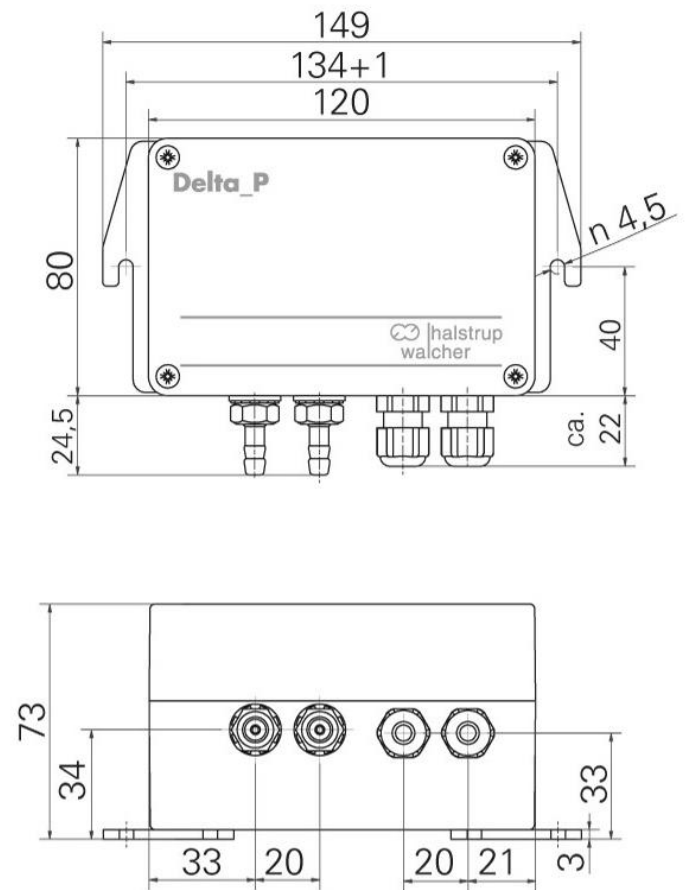
- Beryllium bronze CuBe2
- Mu metal (nickel alloy)
- Brass CuZn39Pb3
- Aluminum AlCuMgPb / AlMg3
- Silicon (tubing) optional: Viton
- Crastin (PTBP)
- Araldite CY236 / HY988
- Loctite 242e
- Carbonyl iron
- KEL (FPM: fluorinated rubber)
- Vepuran Vu 4457/51
- UHU-Plus endfest 300 binder

7 Dimension drawings

PU/PI with display



PU/PI without display



For more information on our measurement technology products, please visit our homepage at

www.halstrup-walcher.de/en/products/measurement-technology/



8 Certificate of conformity



EU-Konformitätserklärung EU Declaration of Conformity

| | |
|--------------------|---|
| Company | halstrup-walcher GmbH, Stegener Str. 10, 79199 Kirchzarten erklärt als Hersteller in alleiniger Verantwortung, dass das Produkt declares as manufacturer under sole responsibility, that the product |
| Product | Differenzdruck-Messumformer PU / PI / PIZ, PS10 Differential Pressure Transmitter |
| Regulations | den folgenden Europäischen Richtlinien entspricht: conforms to following European Directives: LVD 2014/35/EU EMC 2014/30/EU RoHS 2011/65/EU |
| Standards | angewandte harmonisierte Normen: applied harmonized standards: EN 61010-1:2010 +A1:2019 EN IEC 61000-6-2:2019 EN IEC 63000:2018 |
| Declaration | EU Konformitätserklärung ausgestellt von EC Type Examination Certificate issued by |



Geschäftsführer

Managing Director

Kirchzarten, 17. Nov. 2022

halstrup-walcher GmbH
Stegener Straße 10
79199 Kirchzarten

Telefon: +49 (0) 7661 3963-0
Fax: +49 (0) 7661 3963-99
E-Mail: info@halstrup-walcher.de

Geschäftsführer: Jürgen Walcher, Christian Sura
Handelsregister Amtsgericht Freiburg HRB 2209
Umsatzsteuer-ID-Nr. DE 811169901

